

PART NAME

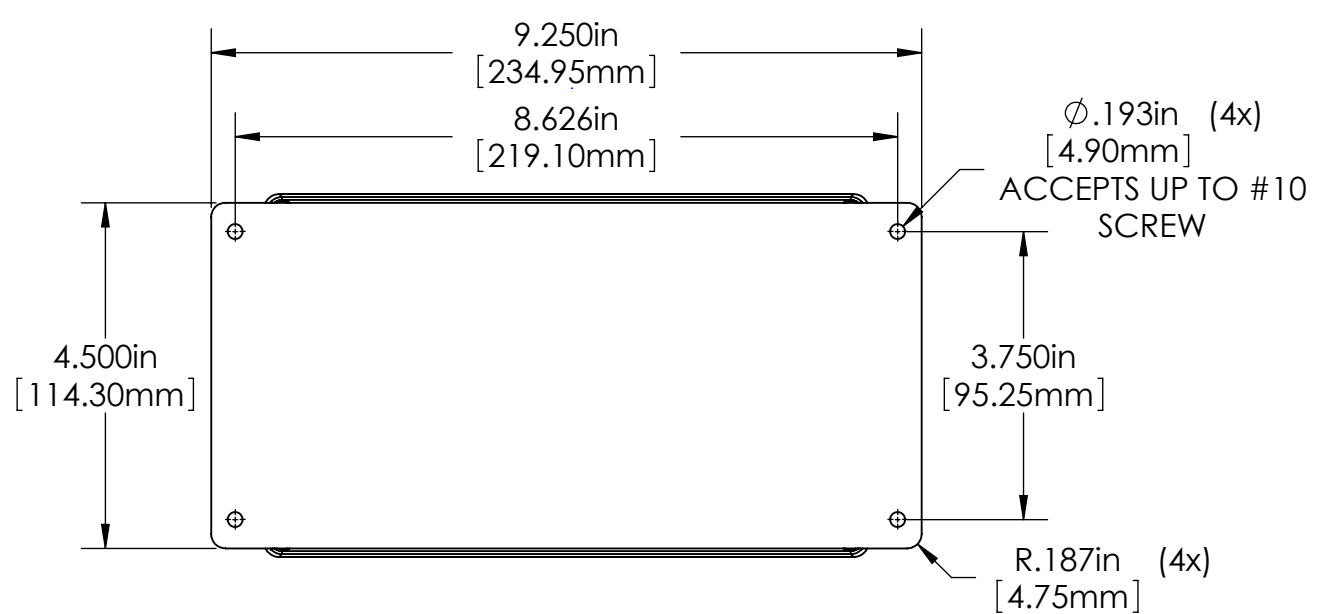
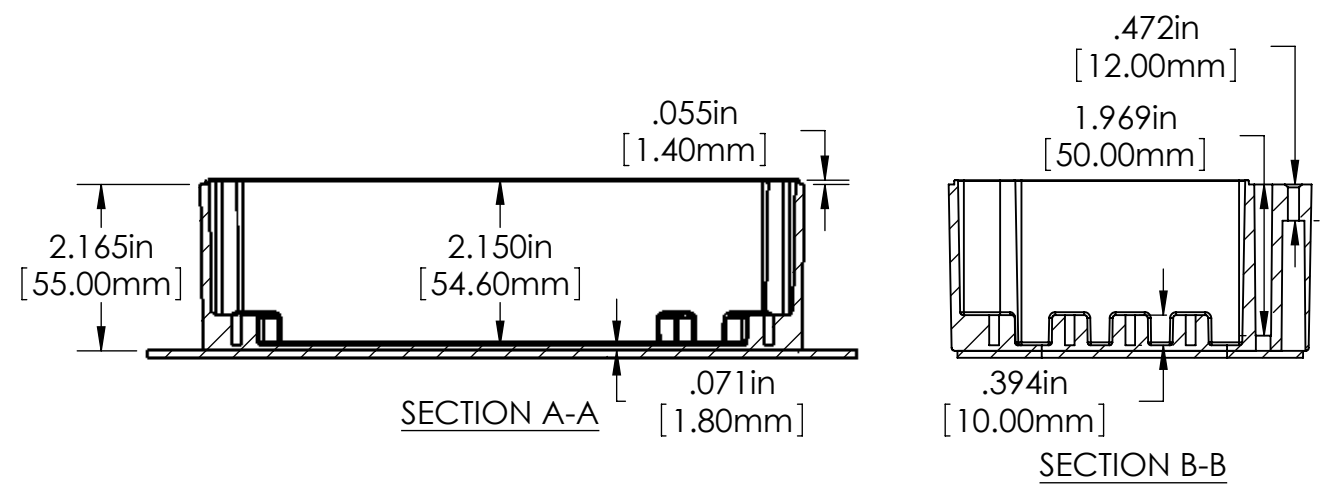
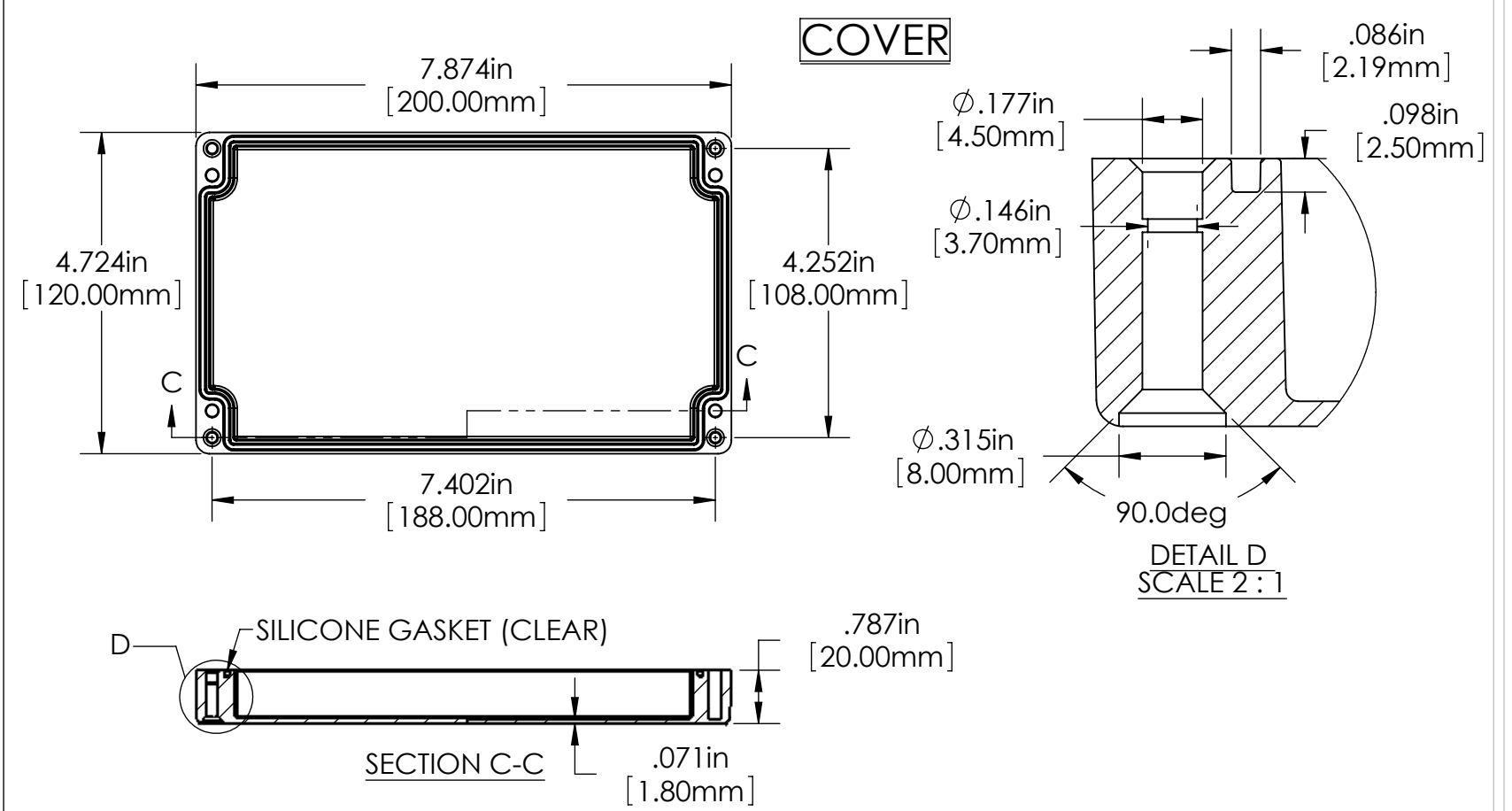
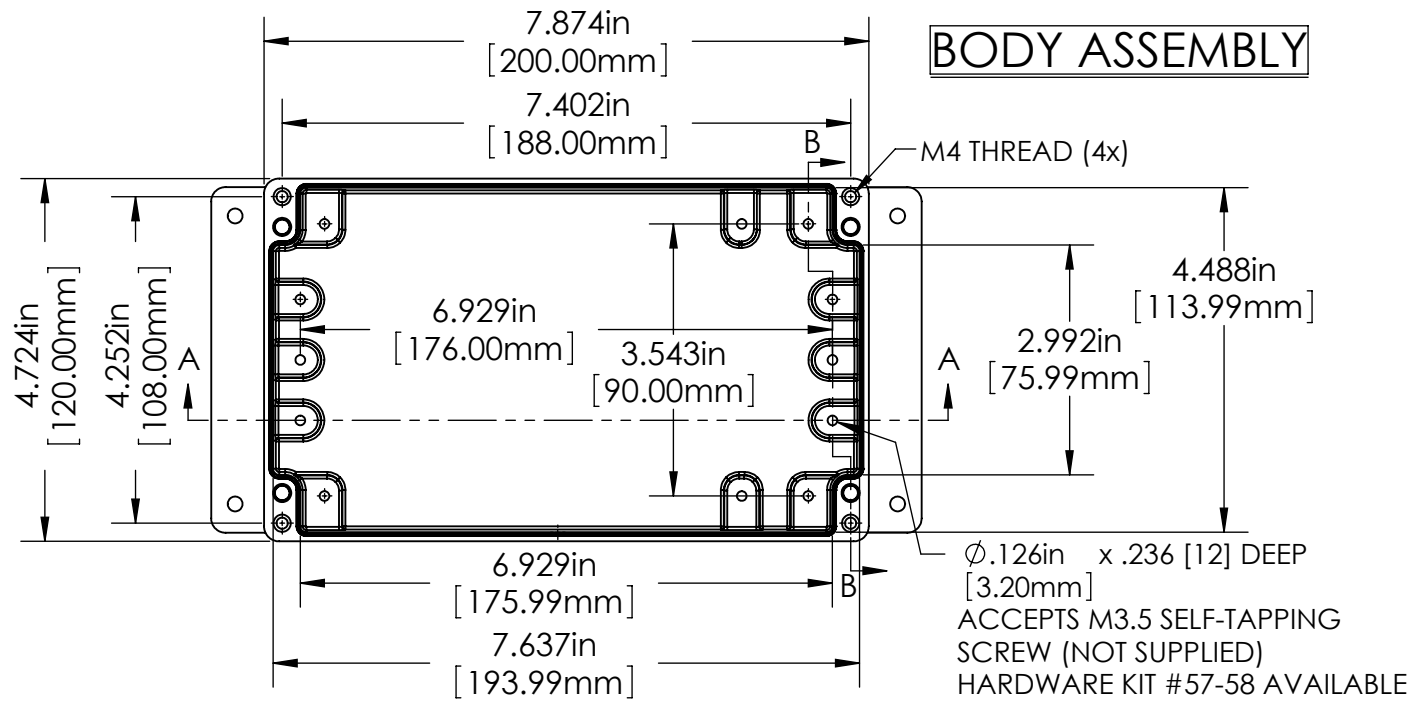
# NEMA 4X DIE CAST ALUMINUM ENCLOSURE

PART No.

AN-2822

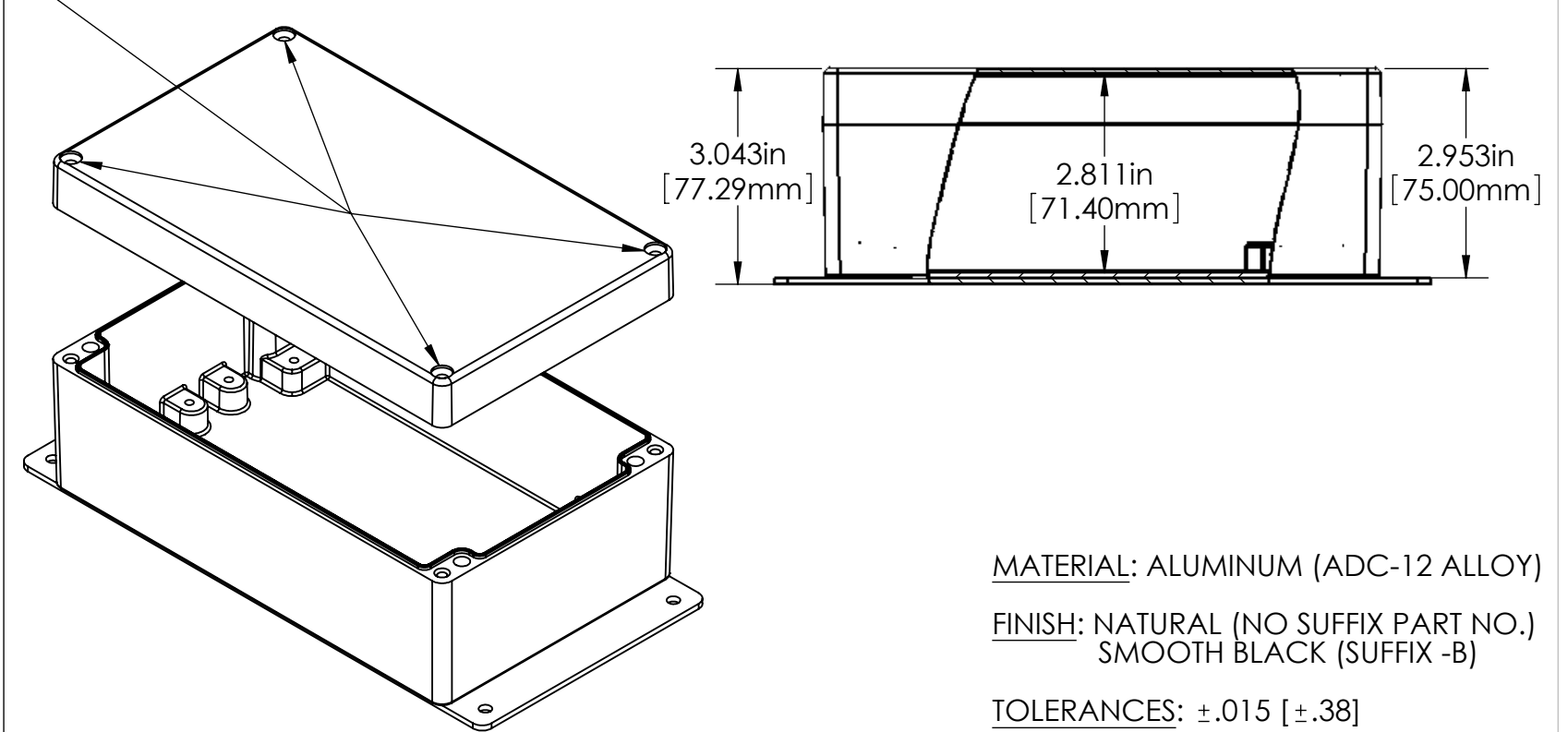
AN-2822-B

REVISION DATE 8/17/2010



FOUR (4) M4 x 32mm (1.26") LG. FLAT HD. STAINLESS STEEL SCREWS SUPPLIED FOR ASSEMBLY OF COVER

## ASSEMBLY



**MATERIAL:** ALUMINUM (ADC-12 ALLOY)  
**FINISH:** NATURAL (NO SUFFIX PART NO.)  
 SMOOTH BLACK (SUFFIX -B)  
**TOLERANCES:** ±.015 [±.38]